

По вопросам продаж и поддержки обращайтесь:

Архангельск (8182)63-90-72	Краснодар (861)203-40-90	Рязань (4912)46-61-64
Астана (7172)727-132	Красноярск (391)204-63-61	Самара (846)206-03-16
Белгород (4722)40-23-64	Курск (4712)77-13-04	Санкт-Петербург (812)309-46-40
Брянск (4832)59-03-52	Липецк (4742)52-20-81	Саратов (845)249-38-78
Владивосток (423)249-28-31	Магнитогорск (3519)55-03-13	Смоленск (4812)29-41-54
Волгоград (844)278-03-48	Москва (495)268-04-70	Сочи (862)225-72-31
Вологда (8172)26-41-59	Мурманск (8152)59-64-93	Ставрополь (8652)20-65-13
Воронеж (473)204-51-73	Набережные Челны (8552)20-53-41	Тверь (4822)63-31-35
Екатеринбург (343)384-55-89	Нижний Новгород (831)429-08-12	Томск (3822)98-41-53
Иваново (4932)77-34-06	Новокузнецк (3843)20-46-81	Тула (4872)74-02-29
Ижевск (3412)26-03-58	Новосибирск (383)227-86-73	Тюмень (3452)66-21-18
Казань (843)206-01-48	Орел (4862)44-53-42	Ульяновск (8422)24-23-59
Калининград (4012)72-03-81	Оренбург (3532)37-68-04	Уфа (347)229-48-12
Калуга (4842)92-23-67	Пенза (8412)22-31-16	Челябинск (351)202-03-61
Кемерово (3842)65-04-62	Пермь (342)205-81-47	Череповец (8202)49-02-64
Киров (8332)68-02-04	Ростов-на-Дону (863)308-18-15	Ярославль (4852)69-52-93

Единый адрес: edi@nt-rt.ru **Веб-сайт:** www.linde.nt-rt.ru

Электроштабелеры L 06-16 AC LINDE MH. Техническое описание

Standard Equipment/Optional Equipment

Standard Equipment

Linde OptiLift®: proportional control on the tiller
 Power assisted steering
 Automatic speed reduction when cornering
 Positive steering (drive wheel) feedback
 3kW AC motor (maintenance free)
 Electro-hydraulic emergency brake acting proportionally to the load weight
 Key switch or Log in PIN code (no extra) Dedicated work station (with storage compartments)
 CAN bus technology

Multifunction backlit instrument display: Safety alarm, maintenance check indicator, battery charge level, hour meter
 Polyurethane wet grip drive wheel
 Polyurethane load wheels
 Mast protection: polycarbonate or mesh wired (no extra)
 Vertical battery change
 Protection -10°C

Optional Equipment

Tilting mast (+ 1° / - 6°) (on the L10/12/16 AC)
 Biometry access
 Load backrest (h=1,000mm)
 Soft landing of fork carriage
 Support for data terminal or barcode reader (Pack n°2)
 Ultra fast lifting

Side battery change (3 & 4 PzS)
 Vertical battery change (5 PzS on the L16 AC)
 Cold store protection -35°C
 Mobile and fixed battery stand (for side battery change)
 Other options available on request



Electric Counterbalanced Stacker Capacity 600 to 1600 kg L06 AC, L10 AC, L12 AC, L16 AC

Series 1170

Safety

The Linde tiller arm provides optimum protection for the operator's hands. Automatic speed reduction when cornering, automatic braking on releasing the traction control. Electro-hydraulic braking is actuated by the emergency stop button, proportional to the load carried.

Performance

The electric counterbalanced pallet stackers provide all the versatility of a front-seat stacker, easy to operate and economical to buy. It is the ideal solution for short-distance operation and medium lifting heights. Drive, lifting and electrical steering motors are designed for high sustained output performance. The Linde OptiLift® control offers a genuine proportional lifting/lowering with load capacities up to 1,600kg.

Comfort

The handles and controls are skin-friendly material, making them pleasant to operate. The operating elements are user friendly, with drive and lifting functions capable to be operated with left or right hand from the tiller without reaching across. Inclining movements of the mast is actuated with fine sensitivity of a lever positioned for optimum access.

Reliability

The pedestrian counterbalanced stacker can be used wherever load arms stackers can not operate. With a compact turning radius and a good manoeuvrability, the truck can operate with ease in confined warehouse areas.

The frame is made of high-strength steel components with extremely good torsional rigidity and provides easy access for servicing work.

Service

The digital multifunction instrument display ensures the operator is always well informed. CAN bus connectivity enables all truck data to be transmitted to a laptop by the service technician. Easy accessibility of all components and maintenance-free AC technology also play an important role in maximising truck uptime.

Features

Chassis & Mast

- Rounded contours, no sharp edges
- Highly resistant, robust steel construction
- Rigid clear view mast optimizes visibility
- Wide choice of masts
- Low chassis skirt protects operator's feet

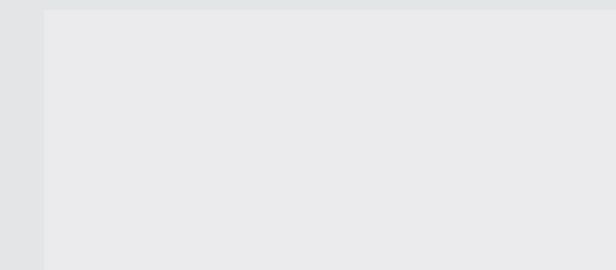
OptiLift® control

- Intuitive controllability of the tiller, as well as all lifting functions
- The proportional OptiLift® control brings quiet smoothness and precision
- Compact, energy efficient, high performance lift unit with no waste of energy



Working station

- Digital, multifunction, backlit instrument display informs the operator of key truck information
- Truck access by key switch or by PIN code (no-cost option)
- Generous storage compartments are conveniently located for shrink-wrap, work gloves, writing utensils, etc



Braking system

- Automatic braking
- On releasing the traction butterfly, with no energy consumption
- By selecting opposite direction of travel
- Emergency brake
- Electro-hydraulic
- On pressing the emergency button
- Hydraulic-assisted system, proportional



AC motor

- Powerful, high torque drive motor, 3kW at 100% performance
- Moisture and dust-proof, maintenance-free motor
- No rollback on gradient starts
- Top speed of 6km/h

Tiller & Power steering

- All traction and lift function are integrated into the tiller and can be operated with either hand and gloves
- Effortless, electric power steering
- Automatic speed reduction when cornering

Energy

- Wide range of batteries from 250Ah (2PzS) to 625Ah (5PzS)
- Efficient battery locking system for side change option secures battery in compartment
- Battery discharge indicator
- Lift lock when the battery is at low charge for longer life time



Maintenance/CAN-bus architecture

- Rapid and convenient access to main components via front service panel
- Intelligent CAN bus electronic management of all components for rapid and easy configuration and diagnosis
- Electrical system and wiring are protected to IP 54 (connectors IP 67), ensuring greater reliability over time

Subject to modification in the interests of progress. Illustrations and technical details not binding for actual constructions. All dimensions subject to usual tolerances.

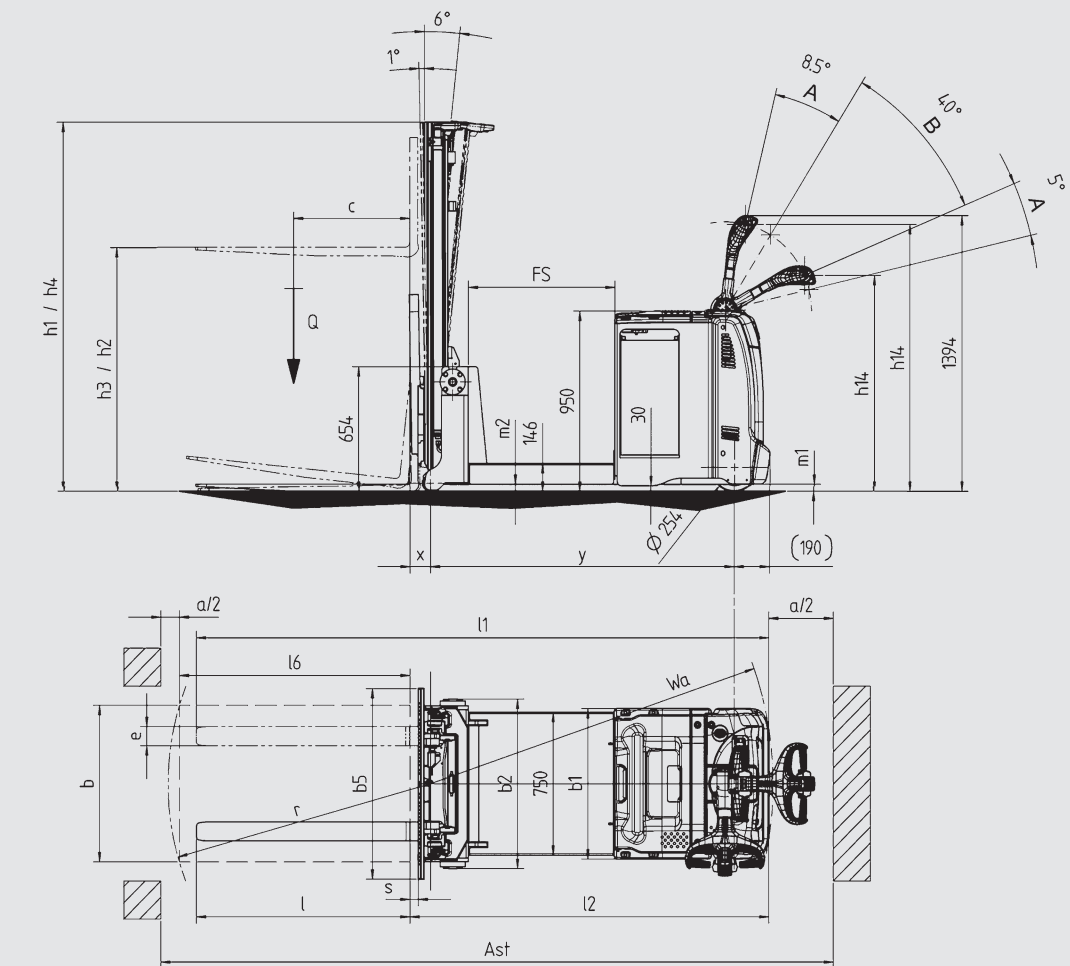
Linde Material Handling

Linde Material Handling

Technical Data according to VDI 2198

		Characteristics			
		L06AC	L10AC	L12AC	L16AC
1.1	Manufacturer	LINDE	LINDE	LINDE	LINDE
1.2	Model designation	L06AC	L10AC	L12AC	L16AC
1.3	Power unit	Battery	Battery	Battery	Battery
1.4	Operation	Pedestrian	Pedestrian	Pedestrian	Pedestrian
1.5	Load capacity	Q (t)	0.6	1.0	1.2
1.6	Load centre	c (mm)	500	500	500
1.8	Axle centre to fork face	x (mm)	100	100	105
1.9	Wheelbase	y (mm)	920	1270	1635
		Weights			
2.1	Service weight	(kg)	1915	1915	1996
2.2	Axle load with load, front/rear	(kg)	734 / 1781	653 / 2262	619 / 2577
2.3	Axle load without load, front/rear	(kg)	1125 / 790	1125 / 790	1186 / 810
		Wheels/Tyres			
3.1	Tyres rubber, SE, pneumatic, polyurethane		Polyurethane wet grip	Polyurethane wet grip	Polyurethane wet grip
3.2	Tyre size, front		Ø 254 x 102	Ø 254 x 102	Ø 254 x 102
3.3	Tyre size, rear		4x Ø 85 x 105	4x Ø 85 x 105	4x Ø 85 x 105
3.5	Wheels, number front/rear (x = driven)		1x / 4	1x / 4	1x / 4
3.7	Track width, rear	b11 (mm)	483	483	483
		Dimensions			
4.1	Mast/fork carriage tilt, forward/backward	a/b (°)	1.0 / 6.0	1.0 / 6.0	1.0 / 6.0
4.9	Height of tiller arm in operating position, min/max	h14 (mm)	1140 / 1350	1140 / 1350	1140 / 1350
4.15	Fork height, lowered	h13 (mm)	40	40	45
4.19	Overall length	l1 (mm)	2200	2550	2920
4.20	Length to fork face	l2 (mm)	1200	1550	1920
4.21	Overall width	b1/b2 (mm)	790 / 890	790 / 890	790 / 890
4.22	Fork dimensions	s/e/l (mm)	40 x 80 x 1000	40 x 80 x 1000	45 x 100 x 1000
4.23	Fork carriage to ISO 2328, class/type A, B		2B	2B	2B
4.24	Width of fork carriage	b3 (mm)	> 800	> 800	> 800
4.31	Ground clearance, below mast	m1 (mm)	40	40	40
4.32	Ground clearance, centre of wheelbase	m2 (mm)	40	40	40
4.33	Aisle width with pallet 1000 x 1200 across forks	Ast (mm)	2583 ¹⁾	2933 ¹⁾	3302 ¹⁾
4.34	Aisle width with pallet 800 x 1200 along forks	Ast (mm)	2690 ¹⁾	3040 ¹⁾	3410 ¹⁾
4.35	Turning radius	Wa (mm)	1130	1480	1845
		Drive			
5.1	Travel speed, with/without load	(km/h)	6 / 5	6 / 5	6 / 5
5.10	Service brake		Electro-magnetic	Electro-magnetic	Electro-magnetic
6.1	Drive motor, 60 minute rating	(kW)	3	3	3
6.2	Lift motor rating at S3 15%	(kW)	3	3	3
		Others			
8.1	Type of drive control		LAC	LAC	LAC
8.4	Noise level at operator's ear	(dB(A))	< 70.0	< 70.0	< 70.0

1) Including a 200 mm (min.) operating aisle clearance.



L 06 AC	Std	Std	Std	Std	Dpx	Dpx	Dpx	Dpx	Tpx
h3	1924	2424	2924	3324	1924	2424	2924	3324	3516
h3+h13	1970	2470	2970	3370	1970	2470	2970	3370	3562
h1	1965	1765	2015	2215	1440	1690	1940	2140	1690
h4	2485	2985	3485	3885	2485	2985	3485	3885	4077
h2	150	150	150	150	879	1129	1379	1579	1129

L 10 AC	Std	Std	Std	Std	Std	Dpx	Dpx	Dpx	Dpx	Dpx	Tpx
h3	1924	2424	2924	3324	3824	1924	2424	2924	3324	3824	3516
h3+h13	1970	2470	2970	3370	3870	1970	2470	2970	3370	3870	3562
h1	1965	1765	2015	2215	2465	1440	1690	1940	2140	2390	1690
h4	2485	2985	3485	3885	4385	2485	2985	3485	3885	4385	4077
h2	150	150	150	150	150	879	1129	1379	1579	1829	1129

L 12 AC	Std	Std	Std	Std	Std	Std	Dpx	Dpx	Dpx	Dpx	Dpx	Dpx	Tpx	Tpx
h3	1924	2424	2924	3324	3824	4224	1924	2424	2924	3324	3824	4224	3516	4266
h3+h13	1970	2470	2970	3370	3870	4270	1970	2470	2970	3370	3870	4270	3562	4312
h1	1965	1765	2015	2215	2465	2665	1440	1690	1940	2140	2390	2590	1690	1940
h4	2485	2985	3485	3885	4385	4785	2485	2985	3485	3885	4385	4785	4077	4827
h2	150	150	150	150	150	150	879	1129	1379	1579	1829	2029	1129	1379

L 16 AC	Std	Std	Std	Std	Std	Std	Dpx	Dpx	Dpx	Dpx	Dpx	Dpx	Tpx	Tpx
h3	1844	2344	2844	3244	3744	4144	1844	2344	2844	3244	3744	4144	3516	4266
h3+h13	1890	2390	2890	3290	3790	4190	1890	2390	2890	3290	3790	4190	3562	4312
h1	1515	1765	2015	2215	2465	2665	1440	1690	1940	2140	2390	2590	1690	1940
h4	2405	2905	3405	3805	4305	4705	2405	2905	3405	3805	4305	4705	4077	4827
h2	150	150	150	150	150	150	879	1129	1379	1579	1829	2029	1129	1379

По вопросам продаж и поддержки обращайтесь:

Архангельск (8182)63-90-72	Краснодар (861)203-40-90	Рязань (4912)46-61-64
Астана (7172)727-132	Красноярск (391)204-63-61	Самара (846)206-03-16
Белгород (4722)40-23-64	Курск (4712)77-13-04	Санкт-Петербург (812)309-46-40
Брянск (4832)59-03-52	Липецк (4742)52-20-81	Саратов (845)249-38-78
Владивосток (423)249-28-31	Магнитогорск (3519)55-03-13	Смоленск (4812)29-41-54
Волгоград (844)278-03-48	Москва (495)268-04-70	Сочи (862)225-72-31
Вологда (8172)26-41-59	Мурманск (8152)59-64-93	Ставрополь (8652)20-65-13
Воронеж (473)204-51-73	Набережные Челны (8552)20-53-41	Тверь (4822)63-31-35
Екатеринбург (343)384-55-89	Нижний Новгород (831)429-08-12	Томск (3822)98-41-53
Иваново (4932)77-34-06	Новокузнецк (3843)20-46-81	Тула (4872)74-02-29
Ижевск (3412)26-03-58	Новосибирск (383)227-86-73	Тюмень (3452)66-21-18
Казань (843)206-01-48	Орел (4862)44-53-42	Ульяновск (8422)24-23-59
Калининград (4012)72-03-81	Оренбург (3532)37-68-04	Уфа (347)229-48-12
Калуга (4842)92-23-67	Пенза (8412)22-31-16	Челябинск (351)202-03-61
Кемерово (3842)65-04-62	Пермь (342)205-81-47	Череповец (8202)49-02-64
Киров (8332)68-02-04	Ростов-на-Дону (863)308-18-15	Ярославль (4852)69-52-93

Единый адрес: edi@nt-rt.ru **Веб-сайт:** www.linde.nt-rt.ru