

По вопросам продаж и поддержки обращайтесь:

Архангельск (8182)63-90-72	Краснодар (861)203-40-90	Рязань (4912)46-61-64
Астана (7172)727-132	Красноярск (391)204-63-61	Самара (846)206-03-16
Белгород (4722)40-23-64	Курск (4712)77-13-04	Санкт-Петербург (812)309-46-40
Брянск (4832)59-03-52	Липецк (4742)52-20-81	Саратов (845)249-38-78
Владивосток (423)249-28-31	Магнитогорск (3519)55-03-13	Смоленск (4812)29-41-54
Волгоград (844)278-03-48	Москва (495)268-04-70	Сочи (862)225-72-31
Вологда (8172)26-41-59	Мурманск (8152)59-64-93	Ставрополь (8652)20-65-13
Воронеж (473)204-51-73	Набережные Челны (8552)20-53-41	Тверь (4822)63-31-35
Екатеринбург (343)384-55-89	Нижний Новгород (831)429-08-12	Томск (3822)98-41-53
Иваново (4932)77-34-06	Новокузнецк (3843)20-46-81	Тула (4872)74-02-29
Ижевск (3412)26-03-58	Новосибирск (383)227-86-73	Тюмень (3452)66-21-18
Казань (843)206-01-48	Орел (4862)44-53-42	Ульяновск (8422)24-23-59
Калининград (4012)72-03-81	Оренбург (3532)37-68-04	Уфа (347)229-48-12
Калуга (4842)92-23-67	Пенза (8412)22-31-16	Челябинск (351)202-03-61
Кемерово (3842)65-04-62	Пермь (342)205-81-47	Череповец (8202)49-02-64
Киров (8332)68-02-04	Ростов-на-Дону (863)308-18-15	Ярославль (4852)69-52-93

Единый адрес: edi@nt-rt.ru **Веб-сайт:** www.linde.nt-rt.ru

Ручные гидравлические тележки М 10 Х/Хе LINDE МН. Техническое описание



Hand Pallet Truck M10 X/M10 XE Capacity 1000 kg

Series 033

Safety

The M10 X / M10 XE is the most suitable product in order to work ergonomically in all safety. The operator can both lift and lower by a single lever, which makes it easy to handle. Furthermore, the lifting column is so thin than the operator can have a perfect view on its forks.

Performance

Used as a support on production lines, or even for picking at height, the M10 X / M10 XE is designed for bringing more performance to operators. Indeed, after having reached the maximum height which is 800 mm, it is not necessary anymore to bend its back, and losing time.

Comfort

Thanks to its compact dimensions, and its ability to hide its scissor lift under the forks, the M10 X / M10 XE can move easily in narrow areas or being parked while taking a minimum of space.

Reliability

After 400 mm lifted from the ground, rear stabilizers are being actionned. Therefore, the stability of the truck is safe and it becomes more convenient for working with forks at operator's working height.

Productivity

Thanks to a fast lifting at an optimum height (800 mm), the M10 X / M10 XE makes the operator saving a lot of time, and having better working conditions, thus, avoiding to bend its back.

Linde Material Handling

Linde

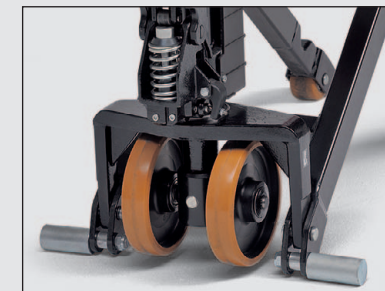
Features

Chassis

- Sturdy, torsion-resistant steel construction
- Reinforced tiller base ensures long life
- Common structure for both mechanical and electrical version

Optimal workstation

- Available in manual and electrical version
- It makes possible, easy and light lifting to a height of 800 mm
- Suitable for machine workshops
- Ability to carry out the support function and material supply along the assembly and production lines



Rear stabilizers

- At a height over 400 mm, the rear stabilizers make the truck very safe
- It enables to get a steady working platform, preventing rocking and movements in all directions



Electrical version

- Available in electrical version (option)
- Reducing efforts
- Enhancing safety
- Gain of productivity
- Lifting speed of 0,08 m/s with load; 0,13 m/s without
- Lowering speed of 0,13 m/s with load; 0,06 m/s without



Smooth-running steer and load wheels

- Entry/exit rollers under the fork tips simplify pallet pick-up
- Tapered and ramped fork tips make pallet entry much easier, especially with shrink-wrapped loads
- Low rolling resistance

Wheels

- Single load wheels for both manual and electrical version
- Rubber drive wheel for a smoother traction and comfort on uneven floors
- Polyurethane drive wheel available for even floor and a better traction

Battery

- Sealed lead acid battery
- Rated capacity 50 hours
- 12 V/60 Ah battery easy to plug
- External charger included



Linde control tiller

- Wide handle for effortless steering
- Optimum hand protection
- Compactness for a convenient manoeuvrability
- Plastic handle covering affords pleasant and secure grip at all ambient temperatures
- Less efforts at the steering wheel
- Quick elevated function (30 cycles) for loads up to 150 kg

Subject to modification in the interest of progress. Illustrations and technical details could include options and not binding for actual constructions. All dimensions subject to usual tolerances.

Linde Material Handling

Linde

Technical Data according to VDI 2198

Characteristics	1.1	Manufacturer	LINDE	LINDE	
	1.2	Model designation	M10X	M10XE	
	1.2a	Series	033	033	
	1.3	Power unit	Pedestrian	Pedestrian	
	1.4	Operation	HPT+manual scissor lift	HPT+electrical scissor lift	
	1.5	Load capacity/Load	Q (t)	1.0	1.0
	1.6	Load centre	c (mm)	600	600
	1.8	Axle centre to fork face	x (mm)	993 ¹⁾	993 ¹⁾
	1.9	Wheelbase	y (mm)	1236 ¹⁾	1236 ¹⁾
Weights	2.1	Service weight	(kg)	104 (111) ^{2) 3)}	141 (148) ^{2) 3)}
	2.2	Axle load with load, front/rear	(kg)	339/765 (344/767) ^{2) 3)}	381/760 (378/770) ^{2) 3)}
	2.3	Axle load without load, front/rear	(kg)	79/25 (84/27) ^{2) 3)}	113/28 (118/30) ^{2) 3)}
Wheels/Tyres	3.1	Tyres rubber, SE, pneumatic, polyurethane		R/P - P/P	R/P - P/P
	3.2	Tyre size, front		Ø 200 x 45	Ø 200 x 50
	3.3	Tyre size, rear		Ø 80 x 50	Ø 80 x 50
	3.5	Wheels, number front/rear (x = driven)		2/2	2/2
	3.6	Track width, front	b10 (mm)	150 ¹⁾	150 ¹⁾
	3.7	Track width, rear	b11 (mm)	447 (587) ^{1) 3)}	447 (587) ^{1) 3)}
	Dimensions	4.4	Lift	h3 (mm)	715 ¹⁾
4.9		Height of tiller arm in operating position, min/max	h14 (mm)	415 / 1250	915 / 1300
4.15		Height, lowered	h13 (mm)	85	85
4.19		Overall length	l1 (mm)	1526 ¹⁾	1690 ¹⁾
4.20		Length to fork face	l2 (mm)	376 ¹⁾	540 ¹⁾
4.21		Overall width	b1/b2 (mm)	540 (680) ^{1) 3)}	540 (680) ^{1) 3)}
4.22		Fork dimensions	s/e/l (mm)	48 x 160 x 1150	48 x 160 x 1150
4.25		Fork spread, min/max	b5 (mm)	540 (680) ^{1) 3)}	540 (680) ^{1) 3)}
4.32		Ground clearance, centre of wheelbase	m2 (mm)	21	21
4.33		Aisle width with pallet 1000 x 1200 across forks	Ast (mm)	1579 ⁴⁾	1748 ⁴⁾
4.34		Aisle width with pallet 800 x 1200 along forks	Ast (mm)	1779 ⁴⁾	1948 ⁴⁾
4.35	Turning radius	Wa (mm)	1372	1541	
Drive	5.2	Lifting speed, with/without load	(m/s)	-	0.08/0.13
	5.3	Lowering speed, with/without load	(m/s)	-	0.13/0.06
	6.2	Lift motor, rating at S3 15%	(kW)	-	1.6
	6.4	Battery voltage/rated capacity (5h)	(V/Ah)	-	12 / 60
	6.5	Battery weight (± 5%)	(kg)	-	16

1) (± 5 mm)
2) (± 10%)

3) figures in parenthesis if b5 = 680 mm
4) Including a 200 mm (min.) operating aisle clearance.

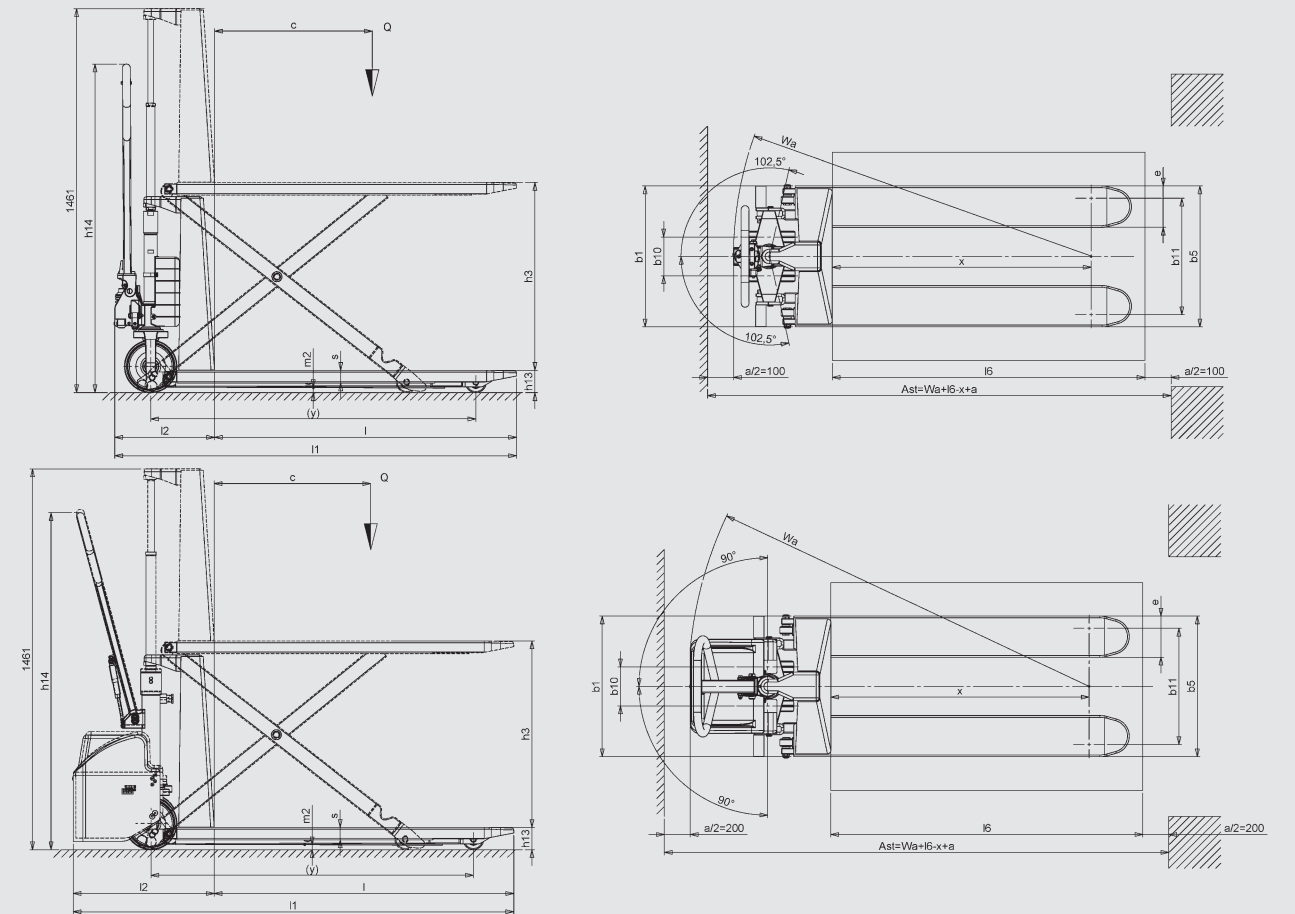
Standard Equipment/Optional Equipment

Standard Equipment

Mechanical version
Forks dimension 540 mm x 1150 mm
Rubber drive wheel
Polyurethane single load wheel

Optional Equipment

Electrical version
680 mm x 1150 mm forks dimension
Polyurethane drive wheel & single load wheel
Additional traction battery



По вопросам продаж и поддержки обращайтесь:

Архангельск (8182)63-90-72	Краснодар (861)203-40-90	Рязань (4912)46-61-64
Астана (7172)727-132	Красноярск (391)204-63-61	Самара (846)206-03-16
Белгород (4722)40-23-64	Курск (4712)77-13-04	Санкт-Петербург (812)309-46-40
Брянск (4832)59-03-52	Липецк (4742)52-20-81	Саратов (845)249-38-78
Владивосток (423)249-28-31	Магнитогорск (3519)55-03-13	Смоленск (4812)29-41-54
Волгоград (844)278-03-48	Москва (495)268-04-70	Сочи (862)225-72-31
Вологда (8172)26-41-59	Мурманск (8152)59-64-93	Ставрополь (8652)20-65-13
Воронеж (473)204-51-73	Набережные Челны (8552)20-53-41	Тверь (4822)63-31-35
Екатеринбург (343)384-55-89	Нижний Новгород (831)429-08-12	Томск (3822)98-41-53
Иваново (4932)77-34-06	Новокузнецк (3843)20-46-81	Тула (4872)74-02-29
Ижевск (3412)26-03-58	Новосибирск (383)227-86-73	Тюмень (3452)66-21-18
Казань (843)206-01-48	Орел (4862)44-53-42	Ульяновск (8422)24-23-59
Калининград (4012)72-03-81	Оренбург (3532)37-68-04	Уфа (347)229-48-12
Калуга (4842)92-23-67	Пенза (8412)22-31-16	Челябинск (351)202-03-61
Кемерово (3842)65-04-62	Пермь (342)205-81-47	Череповец (8202)49-02-64
Киров (8332)68-02-04	Ростов-на-Дону (863)308-18-15	Ярославль (4852)69-52-93

Единый адрес: edi@nt-rt.ru **Веб-сайт:** www.linde.nt-rt.ru