

По вопросам продаж и поддержки обращайтесь:

Архангельск (8182)63-90-72	Краснодар (861)203-40-90	Рязань (4912)46-61-64
Астана (7172)727-132	Красноярск (391)204-63-61	Самара (846)206-03-16
Белгород (4722)40-23-64	Курск (4712)77-13-04	Санкт-Петербург (812)309-46-40
Брянск (4832)59-03-52	Липецк (4742)52-20-81	Саратов (845)249-38-78
Владивосток (423)249-28-31	Магнитогорск (3519)55-03-13	Смоленск (4812)29-41-54
Волгоград (844)278-03-48	Москва (495)268-04-70	Сочи (862)225-72-31
Вологда (8172)26-41-59	Мурманск (8152)59-64-93	Ставрополь (8652)20-65-13
Воронеж (473)204-51-73	Набережные Челны (8552)20-53-41	Тверь (4822)63-31-35
Екатеринбург (343)384-55-89	Нижний Новгород (831)429-08-12	Томск (3822)98-41-53
Иваново (4932)77-34-06	Новокузнецк (3843)20-46-81	Тула (4872)74-02-29
Ижевск (3412)26-03-58	Новосибирск (383)227-86-73	Тюмень (3452)66-21-18
Казань (843)206-01-48	Орел (4862)44-53-42	Ульяновск (8422)24-23-59
Калининград (4012)72-03-81	Оренбург (3532)37-68-04	Уфа (347)229-48-12
Калуга (4842)92-23-67	Пенза (8412)22-31-16	Челябинск (351)202-03-61
Кемерово (3842)65-04-62	Пермь (342)205-81-47	Череповец (8202)49-02-64
Киров (8332)68-02-04	Ростов-на-Дону (863)308-18-15	Ярославль (4852)69-52-93

Единый адрес: edi@nt-rt.ru **Веб-сайт:** www.linde.nt-rt.ru

Ручные гидравлические тележки M 25 Scale LINDE MH. Техническое описание



Hand Pallet Truck M25 Scale+ Capacity 2500 kg

Series 033

Safety

The M25 Scale+ is definitely more than a classical Hand Pallet Truck. Indeed, for a safer application, an intelligent weighing system is included in the truck, thus enables the operator to check the pallet weight.

Performance

With the M25 Scale+, you can lift up to 2500 kg easily in few seconds thanks to the wide handle of the Linde control tiller. No matters of the working area or the types of good that are carried in order to get the correct weight. The truck can evaluate from -10°C to +40°C.

Comfort

Equipped with two rubber drive wheels in standard, the M25 Scale+ has a smooth and a nice driveability. Moreover, thanks to a 0,5 kg division while weighing, it becomes easy to check at a glance the pallet weight. An SD card and a printer are also available as options. An indicator shows the battery level on the display.

Reliability

In addition to the M25 Scale+ pallet handling function, the big benefit comes with its intelligent weighing system. Indeed, the weight accuracy of 0,05 % is the reliable feature of this truck. The endurance of the weighing system of 50 h allows to recharge the device only once or twice a month.

Productivity

The M25 Scale+ is the helpful tool for handling pallets and measure their weight in a fast and simple way. Furthermore, it can be used as an invoicer for some delivery companies in order to check as close as possible, the real weight and the declared one.



Features

Printer & SD card

- Printer enables to print directly the load weight (option)
- Memory SD card is also available (option)
- Tracability and data saving on a computer

Chassis

- Double frame structure and lower fork on which a counter fork is placed
- Reinforced tiller base ensures long life



Intelligent weighing system

- Easy start, balance reset and measuring
- Load stability indicator for a right measurement
- Four load cells that allow for a uniform load distribution
- Weighing precision even in case of collision and unbalanced load
- Accuracy:
 - 0,05 % division
 - 0,5 kg precision



Stainless version

- AISI 304: standard stainless version for moisture working areas
- Suitable for a damp or humid used conditions
- Fine for an hygienic cleaning in food and pharmaceutical industries, preferred for its exceptional resistance against acids in chemistry and saline activities

Minimal servicing requirements

- All joints fitted with bush bearings as standard
- Exceptionally low maintenance requirements



Smooth-running steer and load wheels

- Entry/exit rollers under the fork tips simplify pallet pick-up
- Tapered and ramped fork tips make pallet entry much easier, especially with shrink-wrapped loads
- Low rolling resistance

Display

- Central location for a perfect visibility
- Quick and simple reading
- Counting, adding and totalling of multiple loads thanks to its data memory storage software



Linde control tiller

- Wide handle for effortless steering
- Optimum hand protection
- Compactness for a convenient manoeuvrability
- Plastic handle covering affords pleasant and secure grip at all ambient temperatures



Subject to modification in the interest of progress. Illustrations and technical details could include options and not binding for actual constructions. All dimensions subject to usual tolerances.

Printed in Germany xxx.xxx.xxx

Technical Data according to VDI 2198

Characteristics	1.1	Manufacturer	LINDE	LINDE	
	1.2	Model designation	M25 Scale+	M25 Scale+ Inox	
	1.2a	Series	8xxx	8xxx	
	1.3	Power unit	Pedestrian	Pedestrian	
	1.4	Operation	HPT+weighing	HPT+weighing	
	1.5	Load capacity	Q (t)	2.5	2.5
	1.6	Load centre	c (mm)	600	600
	1.8	Axle centre to fork face	x (mm)	975 ¹⁾	975 ¹⁾
	1.9	Wheelbase	y (mm)	1255 ¹⁾	1255 ¹⁾
Weights	2.1	Service weight	(kg)	117 ²⁾	117 ²⁾
	2.2	Axle load with load, front/rear	(kg)	783/1834 ²⁾	783/1834 ²⁾
	2.3	Axle load without load, front/rear	(kg)	73 / 44 ²⁾	73 / 44 ²⁾
Wheels/Tyres	3.1	Tyres rubber, SE, pneumatic, polyurethane		R/P - P/P	N/N ³⁾
	3.2	Tyre size, front		Ø 200 x 50	Ø 200 x 50
	3.3	Tyre size, rear		Ø 82 x 60	Ø 82 x 60
	3.5	Wheels, number front/rear (x = driven)		2/4	2/4
	3.6	Track width, front	b10 (mm)	155 ¹⁾	155 ¹⁾
	3.7	Track width, rear	b11 (mm)	375 ¹⁾	375 ¹⁾
	Dimensions	4.4	Lift	h3 (mm)	115 ¹⁾
4.9		Height of tiller arm in operating position, min/max	h14 (mm)	690 / 1160	690 / 1160
4.15		Height, lowered	h13 (mm)	90	90
4.19		Overall length	l1 (mm)	1600 ¹⁾	1600 ¹⁾
4.20		Length to fork face	l2 (mm)	415 ¹⁾	415 ¹⁾
4.21		Overall width	b1/b2 (mm)	555 ¹⁾	555 ¹⁾
4.22		Fork dimensions	s/e/l (mm)	60 x 180 x 1185	60 x 180 x 1185
4.25		Fork spread, min/max	b5 (mm)	555 ¹⁾	555 ¹⁾
4.32		Ground clearance, centre of wheelbase	m2 (mm)	30	30
4.33		Aisle width with pallet 1000 x 1200 across forks	Ast (mm)	1615 ⁴⁾	1615 ⁴⁾
4.34		Aisle width with pallet 800 x 1200 along forks	Ast (mm)	1815 ⁴⁾	1815 ⁴⁾
4.35	Turning radius	Wa (mm)	1390	1390	
5.2	Lifting speed, with/without load	(m/s)	-	-	
5.3	Lowering speed, with/without load	(m/s)	0.05/0.02	0.05/0.02	
6.2	Lift motor rating at S3 15%	(kW)	-	-	

1) (± 5 mm)
2) (± 10%)

3) N = Nylon
4) Including a 200 mm (min.) operating aisle clearance.

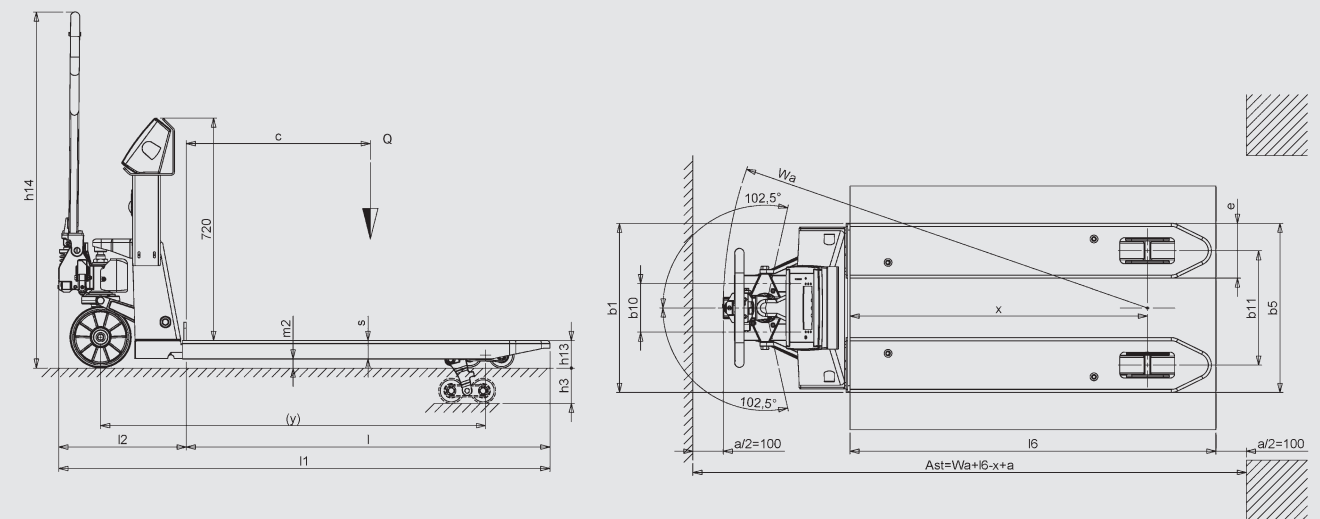
Standard Equipment/Optional Equipment

Standard Equipment

- Forks dimension of 555 mm x 1185 mm
- Rubber drive wheel
- Polyurethan load wheels
- Weighing system with a 0,05 % accuracy
- Weight kilograms division each 0,5 kg

Optional Equipment

- INOX version
- SD card for weighing data saving
- Printer for a direct weight proof
- Polyurethane drive wheel



По вопросам продаж и поддержки обращайтесь:

Архангельск (8182)63-90-72	Краснодар (861)203-40-90	Рязань (4912)46-61-64
Астана (7172)727-132	Красноярск (391)204-63-61	Самара (846)206-03-16
Белгород (4722)40-23-64	Курск (4712)77-13-04	Санкт-Петербург (812)309-46-40
Брянск (4832)59-03-52	Липецк (4742)52-20-81	Саратов (845)249-38-78
Владивосток (423)249-28-31	Магнитогорск (3519)55-03-13	Смоленск (4812)29-41-54
Волгоград (844)278-03-48	Москва (495)268-04-70	Сочи (862)225-72-31
Вологда (8172)26-41-59	Мурманск (8152)59-64-93	Ставрополь (8652)20-65-13
Воронеж (473)204-51-73	Набережные Челны (8552)20-53-41	Тверь (4822)63-31-35
Екатеринбург (343)384-55-89	Нижний Новгород (831)429-08-12	Томск (3822)98-41-53
Иваново (4932)77-34-06	Новокузнецк (3843)20-46-81	Тула (4872)74-02-29
Ижевск (3412)26-03-58	Новосибирск (383)227-86-73	Тюмень (3452)66-21-18
Казань (843)206-01-48	Орел (4862)44-53-42	Ульяновск (8422)24-23-59
Калининград (4012)72-03-81	Оренбург (3532)37-68-04	Уфа (347)229-48-12
Калуга (4842)92-23-67	Пенза (8412)22-31-16	Челябинск (351)202-03-61
Кемерово (3842)65-04-62	Пермь (342)205-81-47	Череповец (8202)49-02-64
Киров (8332)68-02-04	Ростов-на-Дону (863)308-18-15	Ярославль (4852)69-52-93

Единый адрес: edi@nt-rt.ru **Веб-сайт:** www.linde.nt-rt.ru