

По вопросам продаж и поддержки обращайтесь:

Архангельск (8182)63-90-72	Краснодар (861)203-40-90	Рязань (4912)46-61-64
Астана (7172)727-132	Красноярск (391)204-63-61	Самара (846)206-03-16
Белгород (4722)40-23-64	Курск (4712)77-13-04	Санкт-Петербург (812)309-46-40
Брянск (4832)59-03-52	Липецк (4742)52-20-81	Саратов (845)249-38-78
Владивосток (423)249-28-31	Магнитогорск (3519)55-03-13	Смоленск (4812)29-41-54
Волгоград (844)278-03-48	Москва (495)268-04-70	Сочи (862)225-72-31
Вологда (8172)26-41-59	Мурманск (8152)59-64-93	Ставрополь (8652)20-65-13
Воронеж (473)204-51-73	Набережные Челны (8552)20-53-41	Тверь (4822)63-31-35
Екатеринбург (343)384-55-89	Нижний Новгород (831)429-08-12	Томск (3822)98-41-53
Иваново (4932)77-34-06	Новокузнецк (3843)20-46-81	Тула (4872)74-02-29
Ижевск (3412)26-03-58	Новосибирск (383)227-86-73	Тюмень (3452)66-21-18
Казань (843)206-01-48	Орел (4862)44-53-42	Ульяновск (8422)24-23-59
Калининград (4012)72-03-81	Оренбург (3532)37-68-04	Уфа (347)229-48-12
Калуга (4842)92-23-67	Пенза (8412)22-31-16	Челябинск (351)202-03-61
Кемерово (3842)65-04-62	Пермь (342)205-81-47	Череповец (8202)49-02-64
Киров (8332)68-02-04	Ростов-на-Дону (863)308-18-15	Ярославль (4852)69-52-93

Единый адрес: edi@nt-rt.ru **Веб-сайт:** www.linde.nt-rt.ru

Ричтраки R 14-20 G LINDE МН. Техническое описание



Electric Reach Trucks Capacity 1400 - 2000 kg R 14 G, R 16 G, R 20 G

Series 1120

Safety

Designed for optimum operator comfort and safety, the Linde SE-tyred 'G' reach truck range offers a versatile dual-purpose role in both internal and external applications. The unique Linde drive unit suspension and large tyres enable it to operate effectively outside on uneven surfaces, loading and unloading road vehicles, for example; as well as storing and retrieving loads in narrow aisle warehouses.

Performance

Powerful AC traction and lift motors combine with the renowned Linde intelligent controller to deliver seamless, energy efficient performance for optimum productivity. Clear view tilting masts provide smooth, highly efficient storage and retrieval cycles.

Comfort

A world first sees the operator's work station resiliently mounted to the base chassis isolating the operator from shocks and vibrations. An ergonomic, fully adjustable air suspension seat and integral control console housing the fingertip joystick hydraulic levers together with a compact steering wheel gives unsurpassed levels of operator comfort. The unique Linde rheological electric steering system enables effortless operation and assured maneuvering and travelling.

Reliability

Durability and reliability are key elements in delivering cost effective supply chain solutions. Linde reach trucks benefit from the experience of over 60 years working in intensive industrial and commercial applications. All key components are designed and manufactured in-house to meet these objectives.

Productivity

The outstanding Linde 'G' - range of reach trucks is designed to deliver consistently high productivity by ensuring the optimum intuitive working interface between the operator and the truck. This interface combines with the unique Linde design and performance features to deliver the lowest cost per pallet handled.

Linde Material Handling

Linde

Standard Equipment/Optional Equipment

Standard Equipment

General:

Three-wheel configuration with unique suspended drive unit
Overall width 1398 mm (R14G/16G), 1458 mm (R20G)
Linde Load Control for lift/lower, reach, tilt and side shift
Linde twin accelerator pedals
Comprehensive digital instrument display
PVC covered seat
Sealed, maintenance-free AC 6,5 kW drive & 14 kW lift motors
Linde rheological 180° electric steering with tactile feedback
Linde Digital Control System (LDC) for smooth, precise electronic control of all traction and hydraulic functions
Super-elastic load wheel tyres and durable rubber drive tyre

New Standard Features:

Variable energy saving/performance modes (Economy, Efficiency, Performance) for individual applications
Resiliently mounted operator's compartment
Fully adjustable air suspension seat with auto adjustment for operator's weight
Integral, adjustable control console
Generous storage compartments
Key switch, or alternatively PIN code access

Lift height indicator above free lift (250 mm TX, 1,000 mm STD)

Mast:

Torsion-resistant clear view STD and TX - tilting masts

Safety:

Monitoring system stops truck in the event of traction, steering or lift failure
Seat-actuated traction interlock
Linde Curve Assist reduces traction speed while cornering
Four independent braking systems (Regenerative and counter current braking, holding brake control with automatic parking brake and all-wheel brake system)
Automatic travel speed reduction above free-lift (250 mm TX, 1,000 mm STD)
Automatic slowdown at end of reach travel and at max. lift
Lift height related travel speed reduction
Self-adjusting service brakes
Emergency isolator
Battery lock with creep speed interlock
Electrical and hydraulic overload protection
Protective polycarbonate screen between console and mast

Optional Equipment

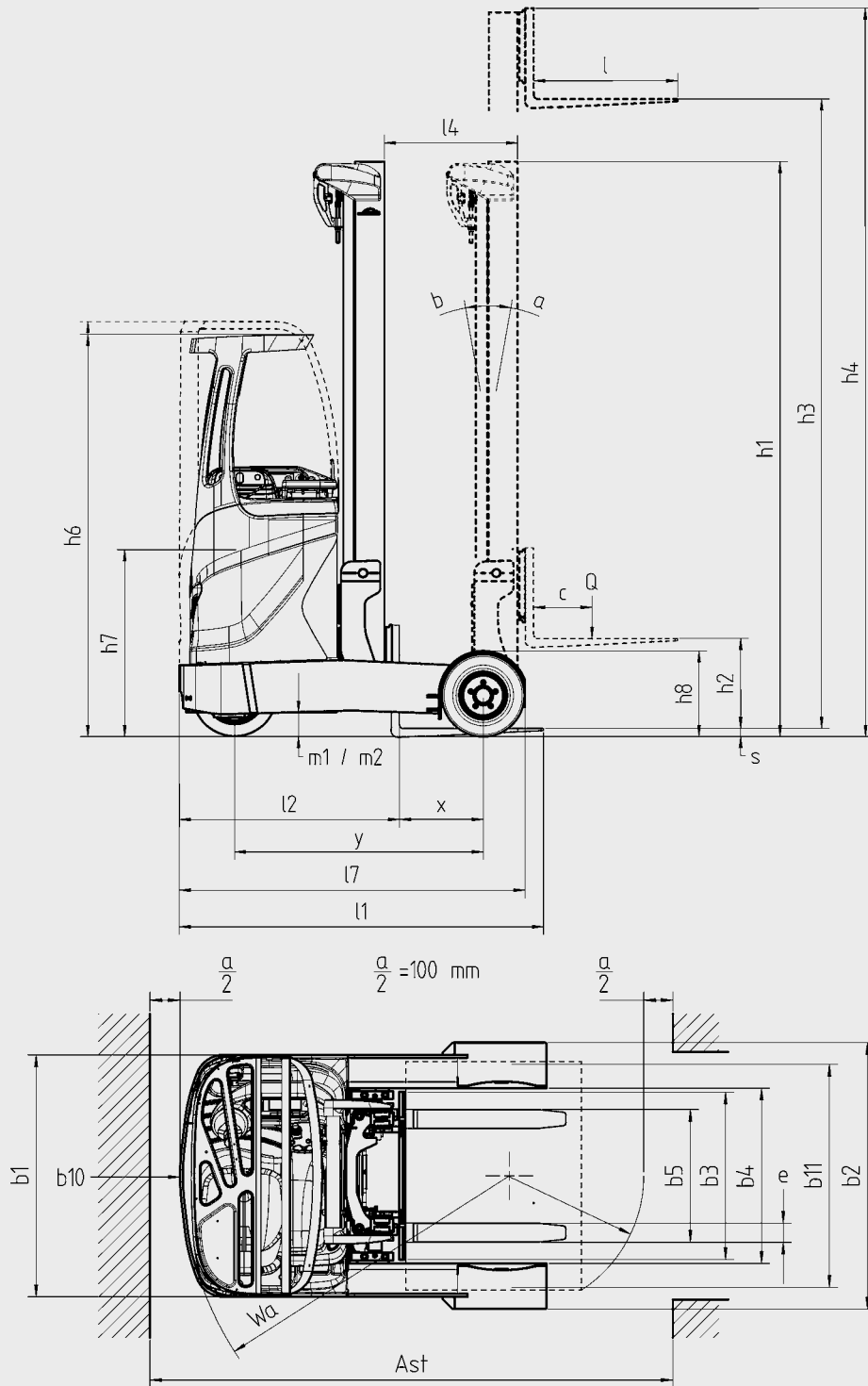
STD tilting mast lifts to 6,530 mm, TX tilting mast to 7,710 mm
Integral side shift
Side shift centering*
Alternative fork lengths
Fork extensions
Load backrest
Height adjustable armrest
Single axis joysticks for each hydraulic function
Single accelerator pedal, automotive layout with left foot interlock
360° steering (single accelerator pedal only)
Reverse steering
Additional lift height display at overhead guard
Advanced colour TFT display*
Panoramic mirror
Option mounting bar
Clipboard
Radio Data Terminal bracket
Fan underneath overhead guard for operator comfort
Fabric covered seat
Leather reinforced seat squab
Heated seat
Shoulder protection frame
Draught protection door

High Vision armoured glass roof
Steel mesh profile or polycarbonate insert for metal overhead guard
Modular ambient cab versions, also available with heater
Interior light
Auxiliary 12 V power socket
Blue Spot™ safety light
LED working lamps
Rotating/flashing beacon
LFM Linde Fleet management systems / Connect
Audible traction alarm
Additional hydraulic circuit for attachments*
Bump stops in metal or in plastic
Battery on rollers
Battery roller stand
Alternative colour schemes

* Availability to be advised

Technical Data according to VDI 2198

Characteristics	1.1	Manufacturer		LINDE	LINDE	LINDE	
	1.2	Model designation		R14G	R16G	R20G	
	1.2a	Series		1120-00	1120-00	1120-00	
	1.3	Power unit		Battery	Battery	Battery	
	1.4	Operation		Seat	Seat	Seat	
	1.5	Load capacity/Load	Q (t)	1.4	1.6	2.0	
	1.6	Load centre	c (mm)	600 / 500	600 / 500	600 / 500	
	1.8	Axle centre to fork face	x (mm)	360	360	510	
	1.9	Wheelbase	y (mm)	1380	1380	1530	
Weights	2.1	Service weight	(kg)	3410 ¹⁾	3470 ¹⁾	3650 ¹⁾	
	2.3	Axle load without load, front/rear	(kg)	2160 / 1250	2190 / 1280	2390 / 1260	
	2.4	Axle load, fork outreached, with load, front/rear	(kg)	645 / 4165	610 / 4460	560 / 5090	
	2.5	Axle load, fork retracted, with load, front/rear	(kg)	1916 / 2894	1911 / 3159	2272 / 3378	
	3.1	Tyres rubber, SE, pneumatic, polyurethane		SE	SE	SE	
Wheels/Tyres	3.2	Tyre size, front		18x8x12 1/8	18x8x12 1/8	18x8x12 1/8	
	3.3	Tyre size, rear		180/60-10	180/60-10	200/50-10	
	3.5	Wheels, number front/rear (x = driven)		1x / 2	1x / 2	1x / 2	
	3.6	Track width, front	b10 (mm)	0	0	0	
	3.7	Track width, rear	b11 (mm)	1210	1210	1250	
	Dimensions	4.1	Mast/fork carriage tilt, forward/backward	a/b (°)	2.0 / 4.0	2.0 / 4.0	2.0 / 4.0
		4.2	Height of mast, lowered	h1 (mm)	2294	2594	3294
		4.3	Free lift	h2 (mm)	1557	1857	2557
		4.4	Lift	h3 (mm)	4910	5710	7710
4.5		Height of mast, extended	h4 (mm)	5652 ²⁾	6452 ²⁾	8452 ²⁾	
4.7		Height of overhead guard (cabin)	h6 (mm)	2236 ³⁾	2236 ³⁾	2236 ³⁾	
4.8		Height of seat/stand on platform	h7 (mm)	1036 - 1168	1036 - 1168	1036 - 1168	
4.10		Height of reach legs	h8 (mm)	473	473	473	
4.19		Overall length	l1 (mm)	2478 ^{1) 4)}	2478 ^{1) 4)}	2478 ^{1) 4)}	
4.20		Length to fork face	l2 (mm)	1328 ⁴⁾	1328 ⁴⁾	1328 ⁴⁾	
4.21		Overall width	b1/b2 (mm)	1270 / 1398	1270 / 1398	1270 / 1458	
4.22		Fork dimensions	s/e/l (mm)	45 x 100 x 1150	45 x 100 x 1150	45 x 100 x 1150	
4.23		Fork carriage to ISO 2328, class/type A, B		2B	2B	2B	
4.24		Width of fork carriage	b3 (mm)	790	790	790	
4.25		Fork spread, min/max	b5 (mm)	296 / 829	296 / 829	296 / 829	
4.26		Width between reach legs	b4 (mm)	920	920	920	
4.28		Reach travel	l4 (mm)	634	634	779	
4.31		Ground clearance, below mast	m1 (mm)	168	168	168	
4.32		Ground clearance, centre of wheelbase	m2 (mm)	132	132	132	
4.33		Aisle width with pallet 1000 x 1200 across forks	Ast (mm)	2768 ^{1) 4) 5) 6)}	2768 ^{1) 4) 5) 6)}	2813 ^{1) 4) 5) 6)}	
4.34	Aisle width with pallet 800 x 1200 along forks	Ast (mm)	2821 ^{1) 4) 5) 6)}	2821 ^{1) 4) 5) 6)}	2836 ^{1) 4) 5) 6)}		
4.35	Turning radius	Wa (mm)	1690 ⁷⁾	1690 ⁷⁾	1838 ⁷⁾		
4.37	Length of chassis	l7 (mm)	1920	1920	2070		
Performance	5.1	Travel speed, with/without load	(km/h)	14 / 14 ^{8) 9)}	14 / 14 ^{8) 9)}	14 / 14 ^{8) 9)}	
	5.2	Lifting speed, with/without load	(m/s)	0.51 / 0.58	0.49 / 0.58	0.44 / 0.58	
	5.3	Lowering speed, with/without load	(m/s)	0.6 / 0.6	0.6 / 0.6	0.6 / 0.6	
	5.4	Reach speed, with/without load	(m/s)	0.2	0.2	0.2	
	5.8	Maximum climbing ability, with/without load	(%)	10.0 / 10.0	10.0 / 10.0	10.0 / 10.0	
	5.9	Acceleration time, with/without load	(s)	-	-	-	
	5.10	Service brake		hydr./mech.	hydr./mech.	hydr./mech.	
	Drive	6.1	Drive motor, 60 minute rating	(kW)	6.5	6.5	6.5
		6.2	Lift motor, rating at S3 15%	(kW)	14	14	14
		6.3	Battery according to DIN 43531/35/36 A,B,C,no		43 531 / C	43 531 / C	43 531 / C
6.4		Battery voltage/rated capacity (5h)	(V/Ah)	48 / 560/620 ¹⁾	48 / 560/620 ¹⁾	48 / 560/620 ¹⁾	
6.5		Battery weight (± 5%)	(kg)	939	939	939	
6.6		Power consumption according to VDI cycle	(kWh/h)	upon request	upon request	upon request	
Others	8.2	Operating pressure for attachments	(bar)	-	-	-	
	8.3	Oil flow for attachments	(l/min)	-	-	-	
	8.4	Noise level at operator's ear	(dB(A))	-	-	-	
	<p>1) Alternative batteries may alter l1, Ast and service weight. 2) with integrated side shifter 3) With Cabin + 78mm 4) With cabin + 80mm 5) Including a 200 mm (min.) operating aisle clearance. 6) Some truck specification require a reach-back restriction. Please note information in Linde World mast table.</p>				<p>7) Attention, with cabin increased turning radius (Wa) due to required fender. 8) forward; backward 9) Depending on performance setting</p>		



Clear view tilt standard mast

R 14 G, R 16 G, R 20 G

Lift	h3	3032	3332	3632	3932	4232	4532	4832	5132	5432	6532
Lift height	h3 + s	3077	3377	3677	3977	4277	4577	4877	5177	5477	6577
Free Lift	h2	150	150	150	150	150	150	150	150	150	150
Height of mast, lowered, incl. 150 mm free lift	h1	2243	2393	2543	2693	2843	2993	3143	3293	3443	3993
Height of mast, extended	h4	3767	4067	4367	4667	4967	5267	5567	5867	6167	7267

Clear view tilt triplex mast

R 14 G, R 16 G, R 20 G

Lift	h3	4910	5210	5710	6360	6510	6660	6810	7260	7410	7710
Lift height	h3 + s	4955	5255	5755	6405	6555	6705	6855	7305	7455	7755
Free Lift	h2	1557	1657	1857	2107	2157	2207	2257	2407	2457	2557
Height of mast, lowered	h1	2294	2394	2594	2844	2894	2944	2994	3144	3194	3294
Height of mast, extended	h4	5652	5952	6452	7102	7252	7402	7552	8002	8152	8452

Alternative lift heights are available on request
 Figures includes side shift



Features

Superb working environment

- Outstanding comfort and functionality from the unique, resiliently mounted work station with an air suspension comfort seat which is fully adjustable to the operator's personal preferences
- Integral, adjustable control console incorporating all operating controls
- Linde Load Control: precise, effortless fingertip control of all mast movements
- High Vision armoured glass overhead guard top panel available as an option; standard with ambient cabin



Stability

- Chassis designed and built for maximum strength and durability
- Heavy-duty design and components enhance the inherent low centre of gravity for optimum stability and high residual capacities
- Linde Curve Assist for safe cornering

Manoeuvrability

- A short wheelbase with compact chassis dimensions and smooth, electric rheological steering ensure easy, efficient manoeuvring and accurate straightline travel performance
- Adjustable steering torque to suit operator's personal preferences
- Excellent all-round visibility of the load and surrounding environment

Linde clear view mast

- Torsion-resistant tilting clear view standard and triplex masts
- Twin cylinder configuration for optimum visibility (STD) plus center free lift cylinder (TX)
- Hydraulic hoses reeved through the mast to enhance visibility

Linde twin accelerator pedals

- Seamless and effortless forward/reverse selection provides outstanding traction control and places minimal demands on operator
- The left foot is safely protected within the chassis contours
- The operator is able to maintain high levels of efficiency and productivity



Precision

- Confident, seamless manoeuvring with unique Linde twin accelerator pedals
- High precision load handling with Linde Load Control
- Highly responsive and progressive electric rheological steering
- Digital instrument display for instant readout of truck status
- Integral, adjustable operator's control console

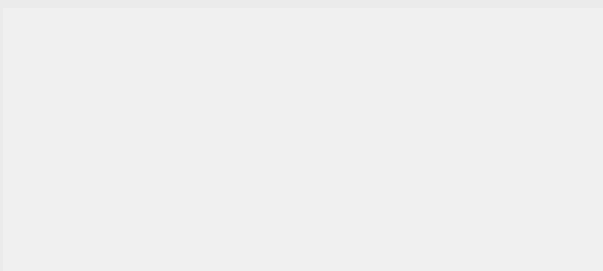
Wheels and tyres/unique suspension

- Large diameter for operation on uneven ground
- Unique Linde drive unit suspension to absorb vibration and road shocks

Servicing

- Sealed, maintenance-free AC traction, lift and steer motors
- Configurable Linde Digital Control system (LDC) incorporates diagnostic technology
- Easy service access
- Up to 1000 operating hours between services

Subject to modification in the interest of progress. Illustrations and technical details could include options and not binding for actual constructions. All dimensions subject to usual tolerances.



По вопросам продаж и поддержки обращайтесь:

Архангельск (8182)63-90-72	Краснодар (861)203-40-90	Рязань (4912)46-61-64
Астана (7172)727-132	Красноярск (391)204-63-61	Самара (846)206-03-16
Белгород (4722)40-23-64	Курск (4712)77-13-04	Санкт-Петербург (812)309-46-40
Брянск (4832)59-03-52	Липецк (4742)52-20-81	Саратов (845)249-38-78
Владивосток (423)249-28-31	Магнитогорск (3519)55-03-13	Смоленск (4812)29-41-54
Волгоград (844)278-03-48	Москва (495)268-04-70	Сочи (862)225-72-31
Вологда (8172)26-41-59	Мурманск (8152)59-64-93	Ставрополь (8652)20-65-13
Воронеж (473)204-51-73	Набережные Челны (8552)20-53-41	Тверь (4822)63-31-35
Екатеринбург (343)384-55-89	Нижний Новгород (831)429-08-12	Томск (3822)98-41-53
Иваново (4932)77-34-06	Новокузнецк (3843)20-46-81	Тула (4872)74-02-29
Ижевск (3412)26-03-58	Новосибирск (383)227-86-73	Тюмень (3452)66-21-18
Казань (843)206-01-48	Орел (4862)44-53-42	Ульяновск (8422)24-23-59
Калининград (4012)72-03-81	Оренбург (3532)37-68-04	Уфа (347)229-48-12
Калуга (4842)92-23-67	Пенза (8412)22-31-16	Челябинск (351)202-03-61
Кемерово (3842)65-04-62	Пермь (342)205-81-47	Череповец (8202)49-02-64
Киров (8332)68-02-04	Ростов-на-Дону (863)308-18-15	Ярославль (4852)69-52-93

Единый адрес: edi@nt-rt.ru **Веб-сайт:** www.linde.nt-rt.ru